

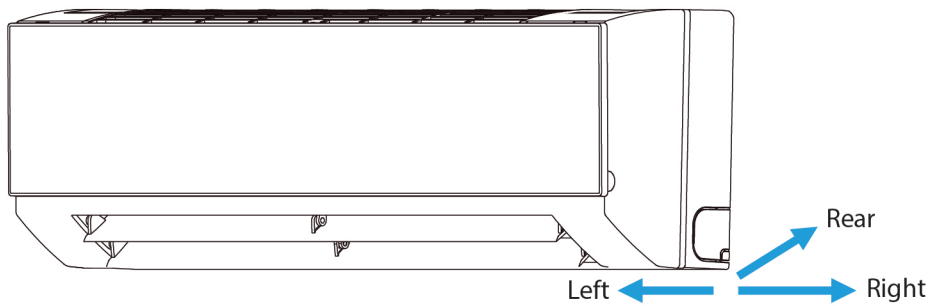
## Wall Mounted



- Auto Restart Function
- Auto Addressing
- Timer
- Auto Defrosting
- Easy-cleaning Panel
- Follow Me
- Anti-cold Air Function
- Auto Swing
- LED Display
- Built-in Filter
- Independent Dehumidification
- Wired Controller

## Convenient Installation >>

To increase installation flexibility, the expansion valve is fitted internally, increasing compactness, and the refrigerant outlet direction can be left, right or rear as the installation situation requires. A new fixing plate design speeds installation and provides extra stability.



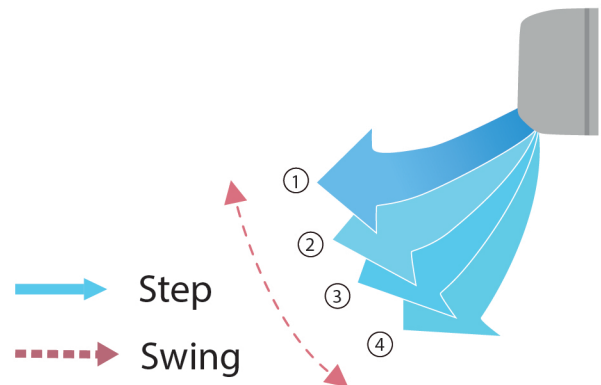
## Easy Maintenance >>

The front panel can be removed for easy maintenance access.



## Auto Swing Louver >>

The Auto Swing Louver function ensures that the air direction corresponds to the mode selected.



## Optimal Comfort Through Better Flow Control and Quiet Operations >>

The mechanical expansion valve offers 2,000-stage element positioning to ensure precise flow control and less modulation noise when the EXV is operating for a quiet and comfortable environment. Three air flow speeds: low, medium and high; double air guides. Smoother airflow and less turbulence is ensured by the multi-blade fan and the air guide design



## Specification

Model			MDV-D22G/N1-M	MDV-D28G/N1-M	MDV-D36G/N1-M	MDV-D45G/N1-M
Power supply			1 phase, 220-240V, 50Hz			
Cooling <sup>1</sup>	Capacity	kW	2.2	2.8	3.6	4.5
		kBtu/h	7.5	9.6	12.3	15.4
	Power input	W	29	29	31	45
Heating <sup>2</sup>	Capacity	kW	2.4	3.2	4.0	5.0
		kBtu/h	8.2	10.9	13.6	17.1
	Power input	W	29	29	31	45
Fan Motor Type			AC			
Air flow rate <sup>3</sup>		m <sup>3</sup> /h	446/429/424/409/394/382/373	457/445/433/421/419/410/402	447/429/399/369/339/333/303	648/618/582/563/546/505/476
Indoor Unit Coil	Number of rows		1	1	2	2
	Tube pitch × row pitch	mm	21x13.37			
	Fin spacing	mm	1.3			
	Fin type		Hydrophilic Aluminum			
	Tube OD and type	mm	Φ9.53 Inner-groove			
	Dimensions (L×H×W)	mm	585×315×13.37	585×315×13.37	585×315×126.74	701×315×26.74
	Number of circuits		2	3	5	5
External Static Pressure		Pa	0	0	0	0
Sound pressure level <sup>4</sup>		dB(A)	34/33/33/32/32/31/31	33/33/32/32/31/31/31	36/35/34/33/32/32/32	37/36/34/34/33/32/31
Unit	Net dimensions <sup>5</sup> (W×H×D)	mm	835×280×203			990×315×223
	Packed dimensions (W×H×D)	mm	915×360×300			1075×400×300
	Net/Gross weight	kg	8.5/11.0	8.5/11.0	9.7/12.2	13.8/16.4
Refrigerant type			R410A			
Design pressure (H/L)		MPa	4.4/2.6			
Pipe connections	Liquid/Gas pipe	mm	Φ6.35/Φ12.7			
	Drain pipe	mm	OD Φ16			

Model			MDV-D56G/N1-M	MDV-D71G/N1-M	MDV-D80G/N1-M	MDV-D90G/N1-M
Power supply			1 phase, 220-240V, 50/60Hz			
Cooling <sup>1</sup>	Capacity	kW	5.6	7.1	8.0	9.0
		kBtu/h	19.1	24.2	27.3	30.7
	Power input	W	54	77	77	90
Heating <sup>2</sup>	Capacity	kW	6.3	8.0	9.0	10.0
		kBtu/h	21.5	27.3	30.7	34.1
	Power input	W	54	77	77	90
Fan Motor type			AC			
Air flow rate <sup>3</sup>		m <sup>3</sup> /h	798/764/723/691/665/627/595	1240/1171/1107/1045/976/914/869	1248/1194/1119/1056/993/914/863	1427/1403/1303/1232/1186/1096/1043
Indoor Unit Coil	Number of rows		2	2	2	2
	Tube pitch × row pitch	mm	21×13.37			
	Fin spacing	mm	1.3			
	Fin type		Hydrophilic aluminium			
	Tube OD and type	mm	Φ9.53 Inner-groove			
	Dimensions (L×H×W)	mm	701×315×26.74	825×399×26.74	825×399×26.74	825×399×26.74
	Number of circuits			5	6	5
External Static Pressure		Pa	0	0	0	0
Sound pressure level <sup>4</sup>		dB(A)	42/41/40/39/38/37/36	48/47/45/44/42/39/38	48/47/45/43/42/39/38	52/51/50/49/47/45/43
Unit	Net dimensions <sup>5</sup> (W×H×D)	mm	990×315×223	990×315×223		
	Packed dimensions (W×H×D)	mm	1075×400×300	1265×420×345		
	Net/Gross weight	kg	13.8/16.4	17.4/20.8	17.6/21.0	17.6/21.0
Refrigerant type			R410A			
Design pressure (H/L)		MPa	4.4/2.6			
Pipe connections	Liquid/Gas pipe	mm	Φ9.53/Φ15.9			
	Drain pipe	mm	OD Φ16			