

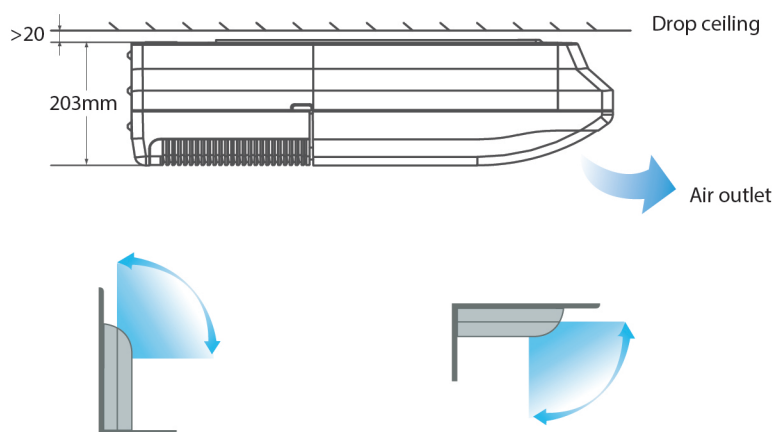
## Ceiling & Floor



- Auto Restart Function
- Auto Addressing
- Timer
- Auto Defrosting
- Easy-cleaning Panel
- Follow Me
- Anti-cold Air Function
- Auto Swing
- LED Display
- Built-in Filter
- Independent Dehumidification
- Wired Controller

### Flexibility >>

A sleek design suits installation either on the ceiling or floor, providing flexibility to accommodate a wide range of room designs.



The unit can be installed either horizontally on the ceiling or vertically against the wall.

### Wide-Angle Swing >>

A wide-angle swing together with bi-directional louver swing allows the positioning of the unit to be selected to suit the room's decor, whilst ensuring that full-room cooling and heating coverage is achieved.



Wide-angle swing

### Increased Comfort >>

Sound levels as low as 36dB(A) are achieved using electronic expansion valves which ensure precise flow control whilst generating little modulation noise. A multi-blade fan coupled with a dual-louver air guide smooth output airflow.

## Specifications

| Model                       |                 |                   | MDV-D36DL/N1-C             | MDV-D45DL/N1-C | MDV-D56DL/N1-C | MDV-D71DL/N1-C | MDV-D80DL/N1-C |
|-----------------------------|-----------------|-------------------|----------------------------|----------------|----------------|----------------|----------------|
| Power supply                |                 |                   | 1-phase,220-240V,50Hz      |                |                |                |                |
| Capacity                    | Cooling         | kW                | 3.6                        | 4.5            | 5.6            | 7.1            | 8.0            |
|                             | Heating         | kW                | 4.0                        | 5.0            | 6.3            | 8.0            | 9.0            |
| Power input                 | Cooling         | W                 | 49                         | 120            | 122            | 125            | 130            |
|                             | Heating         | W                 | 49                         | 120            | 122            | 125            | 130            |
| Airflow rate(H/M/L)         |                 | m <sup>3</sup> /h | 650/570/500                | 800/600/500    | 800/600/500    | 800/600/500    | 1,200/900/700  |
| Sound pressure level(H/M/L) |                 | dB(A)             | 40/38/36                   | 43/41/38       | 43/41/38       | 43/41/38       | 45/43/40       |
| Net dimension(W×H×D)        |                 | mm                | 990×203×660                | 990×203×660    | 990×203×660    | 990×203×660    | 1280×203×660   |
| Packing dimension(W×H×D)    |                 | mm                | 1089×296×744               | 1089×296×744   | 1089×296×744   | 1089×296×744   | 1379×296×744   |
| Net/gross weight            |                 | kg                | 26/32                      | 28/34          | 28/34          | 28/34          | 34.5/41        |
| Piping connections          | Liquid/gas pipe | mm                | Φ6.35/Φ12.7                | Φ6.35/Φ12.7    | Φ9.53/Φ15.9    | Φ9.53/Φ15.9    | Φ9.53/Φ15.9    |
|                             | Drain pipe      | mm                | OD Φ25                     | OD Φ25         | OD Φ25         | OD Φ25         | OD Φ25         |
| Standard controller         |                 |                   | Wireless remote controller |                |                |                |                |

| Model                       |                 |                   | MDV-D90DL/N1-C             | MDV-D112DL/N1-C | MDV-D140DL/N1-C | MDV-D160DL/N1-C |
|-----------------------------|-----------------|-------------------|----------------------------|-----------------|-----------------|-----------------|
| Power supply                |                 |                   | 1-phase,220-240V,50Hz      |                 |                 |                 |
| Capacity                    | Cooling         | kW                | 9.0                        | 11.2            | 14.0            | 16.0            |
|                             | Heating         | kW                | 10.0                       | 12.5            | 15.0            | 18.0            |
| Power input                 | Cooling         | W                 | 130                        | 182             | 182             | 300             |
|                             | Heating         | W                 | 130                        | 182             | 182             | 300             |
| Airflow rate(H/M/L)         |                 | m <sup>3</sup> /h | 1200/900/700               | 1980/1860/1730  | 1980/1860/1730  | 1980/1860/1730  |
| Sound pressure level(H/M/L) |                 | dB(A)             | 45/43/40                   | 47/45/42        | 47/45/42        | 47/45/42        |
| Net dimension(W×H×D)        |                 | mm                | 1280×203×660               | 1670×244×680    | 1670×244×680    | 1670×285×680    |
| Packing dimension(W×H×D)    |                 | mm                | 1379×296×744               | 1764×329×760    | 1764×329×760    | 1775×377×760    |
| Net/gross weight            |                 | kg                | 34.5/41                    | 54/59           | 54/59           | 57.5/63.5       |
| Piping connections          | Liquid/gas pipe | mm                | Φ9.53/Φ15.9                | Φ9.53/Φ15.9     | Φ9.53/Φ15.9     | Φ9.53/Φ15.9     |
|                             | Drain pipe      | mm                | OD Φ25                     | OD Φ25          | OD Φ25          | OD Φ25          |
| Standard controller         |                 |                   | Wireless remote controller |                 |                 |                 |

### Notes:

- Nominal capacities are based on the following conditions:
  - Cooling: indoor temperature 27°C (80.6°F) DB, 19°C (66.2°F) WB; outdoor temperature 35°C (95.0°F) DB; equivalent refrigerant piping length 7.5m (24.6ft.) with zero level difference.
  - Heating: indoor temperature 20°C (68.0°F) DB; outdoor temperature 7°C (44.6°F) DB, 6°C (42.8°F) WB; equivalent refrigerant piping length 7.5m (24.6ft.) with zero level difference.
- Floor standing: Sound pressure level is measured at a position 1m (3.28ft) in front the unit and 1m (3.28ft) above the floor in a semi-anechoic chamber.
- Ceiling mounted: Sound pressure level is measured at a position 1m (3.28ft) in front and 1m (3.28ft) below the unit in a semi-anechoic chamber.
- Unit body dimensions given are the largest external dimensions of the unit, including hanger attachments.

